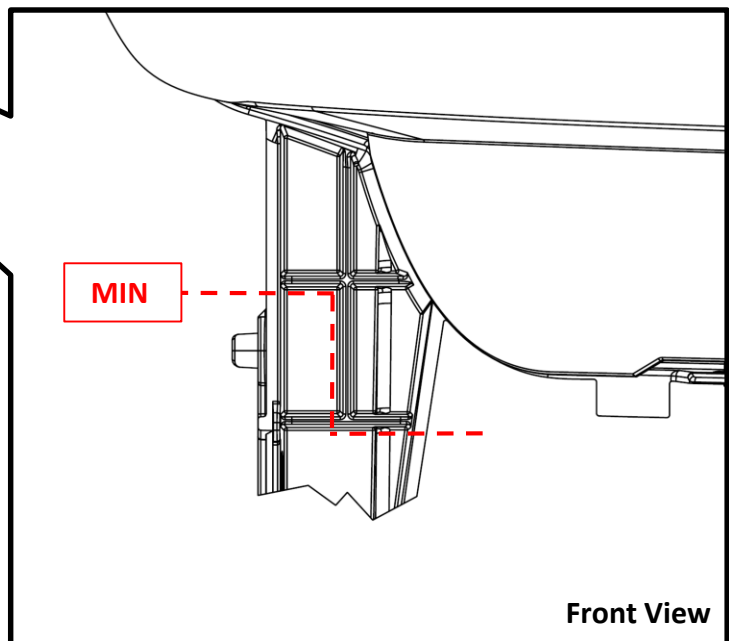
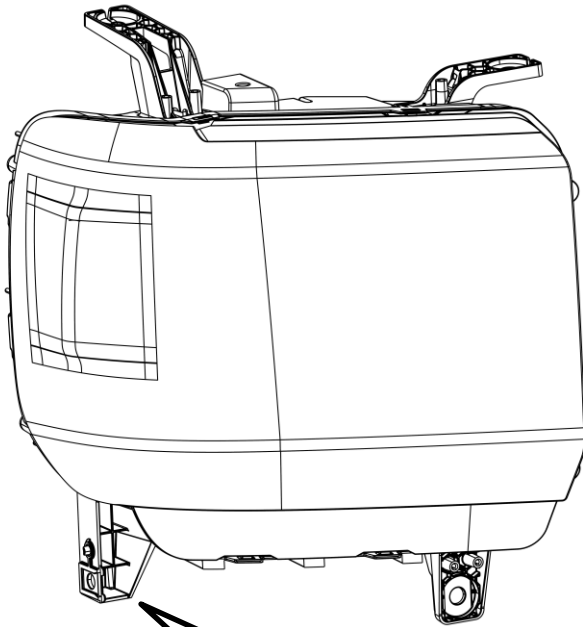




**Minimum Material Condition (MMC)**  
**2014-18 GMC SIERRA RH LWR OUTBOARD HEADLIGHT TAB KIT ALL**  
**P/N 25-10003**

1. Using a metric scale or ruler, measure your lamp at the reference points given in the figure below.
2. If the broken mounting tab meets the Minimum Material Condition value(MIN), then your lamp can be repaired using this kit.
3. If the broken mounting tab does not meet the Minimum Material Condition value(MIN), then your lamp is not a candidate for this repair kit.
4. If your lamp's mounting tabs have been repaired previously by any method, then your lamp is not a candidate for this repair kit.



Please see the **Video & Instruction** page at [CreativeRepairSolutions.com](https://www.CreativeRepairSolutions.com) for detailed information.